

## Direct current electronic drivers Alimentatori elettronici in corrente continua

Made in Italy

# 1.1

Single current drivers - Without PFC  
Alimentatori corrente singola - Senza PFC

constant CURRENT constant VOLTAGE

IS 15885  
(Part 2 / Sec 13)  
R - 41049751

DAMP LOCATION

UL-CLASS2  
CSA-LVLE

05

KEMA EUR

JET

100

M M

EL SELV 60V

RIPPLE FREE



1-2KV DIFF. 2KV COMM. SAFETY PROTECTIONS

**Rated Voltage**  
Tensione Nominale  
100 ÷ 127 V<sup>(3)</sup>  
100 ÷ 240 V

**Frequency**  
Frequenza  
50-60 Hz

**AC Operation range**  
Tensione di utilizzo AC  
90 ÷ 264 V

**DC Operation range**  
Tensione di utilizzo DC  
(see page info15)  
176 ÷ 264 V

**Power**  
Potenza  
0 ÷ 8 W

**Output current ripple**  
≤ 3%<sup>(1)</sup>

**Standards compliance**  
CSA C22.2 no. 223<sup>(3)</sup>  
EN 50172 (VDE 0108)  
EN 55015  
EN 61000-3-2  
EN 61000-3-3  
EN 61347-1  
EN 61347-2-13  
EN 61547  
UL 1310<sup>(3)</sup>  
UL 8750<sup>(3)</sup>  
VDE 0710-T14

**Max. pcs for CB B16A**  
(see page info17)  
50 pcs

**In rush current**  
20A 170μsec

Article Articolo	Code Codice	P out W	V out DC	I out DC	U out V	ta °C	tc °C	λ max. Power Factor	η max. Efficiency <sup>(1)</sup>
DC 8W 350mA STC/U <sup>(3)(4)</sup>	122633	6/8 <sup>(2)</sup>	2...23	350 mA cost.	25	-25...+50 <sup>(2)</sup> /55	75	0,6 C	77
DC 9W 350mA STC/U <sup>(4)</sup>	122632	6/9 <sup>(2)</sup>	2...25,7	350 mA cost.	30	-40...+45 <sup>(2)</sup> /55	75	0,6 C	77
DC 6W 500mA STC/U <sup>(3)</sup>	122635	6	2...11,5	500 mA cost.	13	-25...+45	70	0,6 C	73

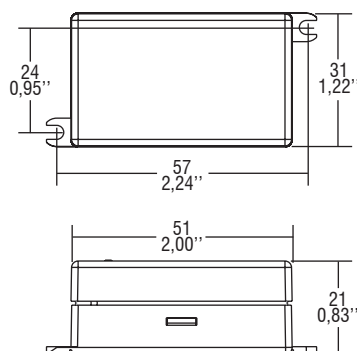
<sup>(1)</sup> Referred to V<sub>in</sub> = 230 V, 100% load - Riferito a V<sub>in</sub> = 230 V, carico 100%

<sup>(5)</sup> 122633BIS - 122632BIS - 122635BIS:

order codes for BIS marked products - codici di ordine per i prodotti marchiati BIS

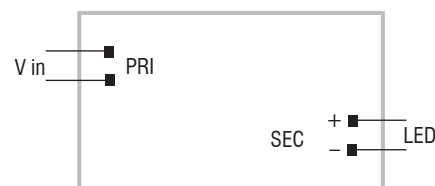
BUILT-IN SCREW FIXING

Weight - Peso: gr. 35 / 1,23 oz.  
Pcs - Pezzi 50



### Wiring diagram - Schema di collegamento

(Max. LED distance on page info8 - Massima distanza LED a pagina info8)



### Features

- Driver for built-in use.
- Input and output terminal blocks on opposite sides.
- Single terminal at the primary and secondary circuit (wire cross-section up to 2,5 mm<sup>2</sup> / AWG13).
- It can be used for lighting equipment in protection class I and II.
- Current regulation -8 % +5 % including temperature variations.
- Protections:
  - against overheating and short circuits;
  - against mains voltage spikes;
  - against overloads.

### Caratteristiche

- Alimentatore da incorporare.
- Morsetti di entrata e uscita contrapposti.
- Singolo morsetto su primario e secondario (sezione cavo fino a 2,5 mm<sup>2</sup> / AWG13).
- Utilizzabile per apparecchi di illuminazione in classe di protezione I e II.
- Corrente regolata -8 % +5 % incluse variazioni di temperatura.
- Protezioni:
  - termica e cortocircuito;
  - contro le extra-tensioni di rete;
  - contro i sovraccarichi.

7 YEARS WARRANTY 3% FAILURE RATE  
10 YEARS WARRANTY 5% FAILURE RATE

PRODUCER'S LIABILITY  
10 YEARS WARRANTY TO THE LED MANUFACTURER  
ACCORDING TO THE CONTRACTOR'S CONDITIONS