



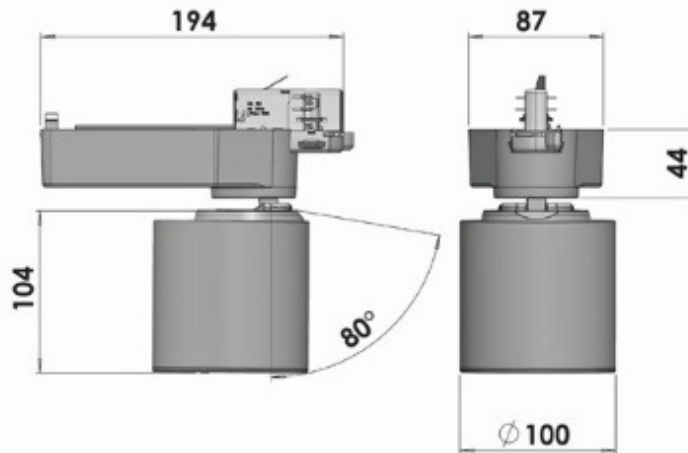
# COLT CYLINDER

- Colt series with thermoplastic gear housing for cost effective needs

# COLT CYLINDER

Input Power	CRI & CCT Options	Colour Consistency	Installation Type	Material	Warranty	Beam Angles	Luminaire Color
220 – 240V	CRI 80+ 3000K, 4000K, 5000K	3-Step MacAdam	NoA & Most 3 & 1 -phase Tracks	Powder Painted Die-Cast Aluminum	50 000h Or 5 Years	1206 COB: S 15°	White (RAL 9016)
	CRI 90+ 2700K B.BBL, 3000K B.BBL, 3500K B.BBL, 4000K					NFL 20°	Silver (Ca. RAL 9006)
	FL 30°					Black (RAL 9005)	
						WFL 50°	

Output Current / Module Wattage / System Wattage:	LED Module: Citizen CLU038-1206 5-Gen – COB luminous flux:					Power: 300mA – 1050mA	
	CRI 80+ 3 000K	CRI 80+ 4 000K	CRI 80+ 5 000K	CRI 90+ 2 700K Below BBL	CRI 90+ 3 000K Below BBL	CRI 90+ 3 500K Below BBL	CRI 90+ 4 000K
700mA / 25W / 27W	3 575Lm	3 700Lm	3 750Lm	2 700Lm	2 800Lm	2 875Lm	3 050Lm
900mA / 33W / 35W	4 375Lm	4 500Lm	4 575Lm	3 275Lm	3 425Lm	3 500Lm	3 725Lm
1050mA / 39W / 43W	4 875Lm	5 050Lm	5 100Lm	3 675Lm	3 825Lm	3 900Lm	4 150Lm



**IP20**

LED Design | Made In Finland

