



AC CAFETERIA

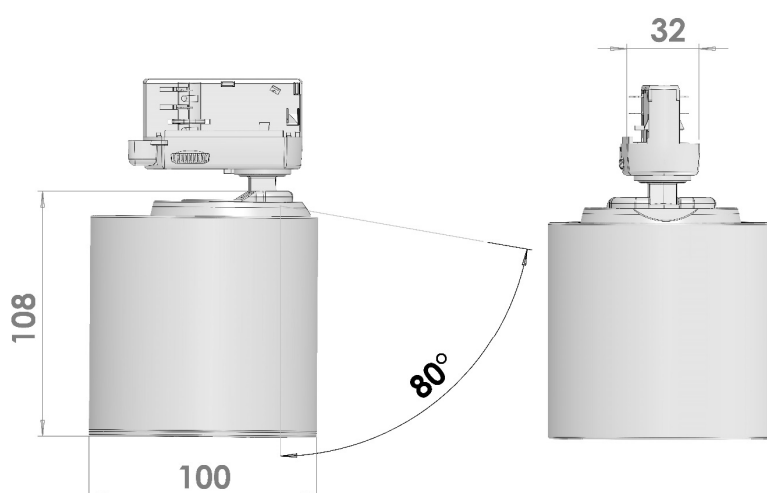
- Good light in small form factor - high performance AC solution

AC CAFETERIA

Input Power	CRI & CCT Options	Cooling	Installation Type	Material	Warranty	Beam Angles	Luminaire Color
220 – 240V	CRI 80+ 2700K, 3000K, 4000K CRI 90+ 3500K B.BBL	Passive Cooling	NoA & Most 1 & 3-phase Tracks	Powder Painted Die-Cast Aluminum	50 000h Or 5 Years	S FL WFL 15° 24° 35°	White (RAL 9016) Silver (Ca. RAL 9006) Black (RAL 9005)

LED Module: Citizen CLC240 – 1 200Lm			
CRI 80+ 2 700K	CRI 80+ 3 000K	CRI 80+ 4 000K	CRI 90+ 3 500K Below BBL
1200Lm 13W	1200Lm 12W	1200Lm 12W	1200Lm 13W

LED Module: Citizen CLC250 – 2 200Lm			
CRI 80+ 2 700K	CRI 80+ 3 000K	CRI 80+ 4 000K	CRI 90+ 3 500K Below BBL
2200Lm 20W	2200Lm 20W	2200Lm 18W	2200Lm 22W



IP20

LED Design | Made In Finland

LIVAL